

Saint Francis's Story

Directions: Cut out each scene below. Choose one and color it. Listen to your leader to learn how to make a necklace with your card.



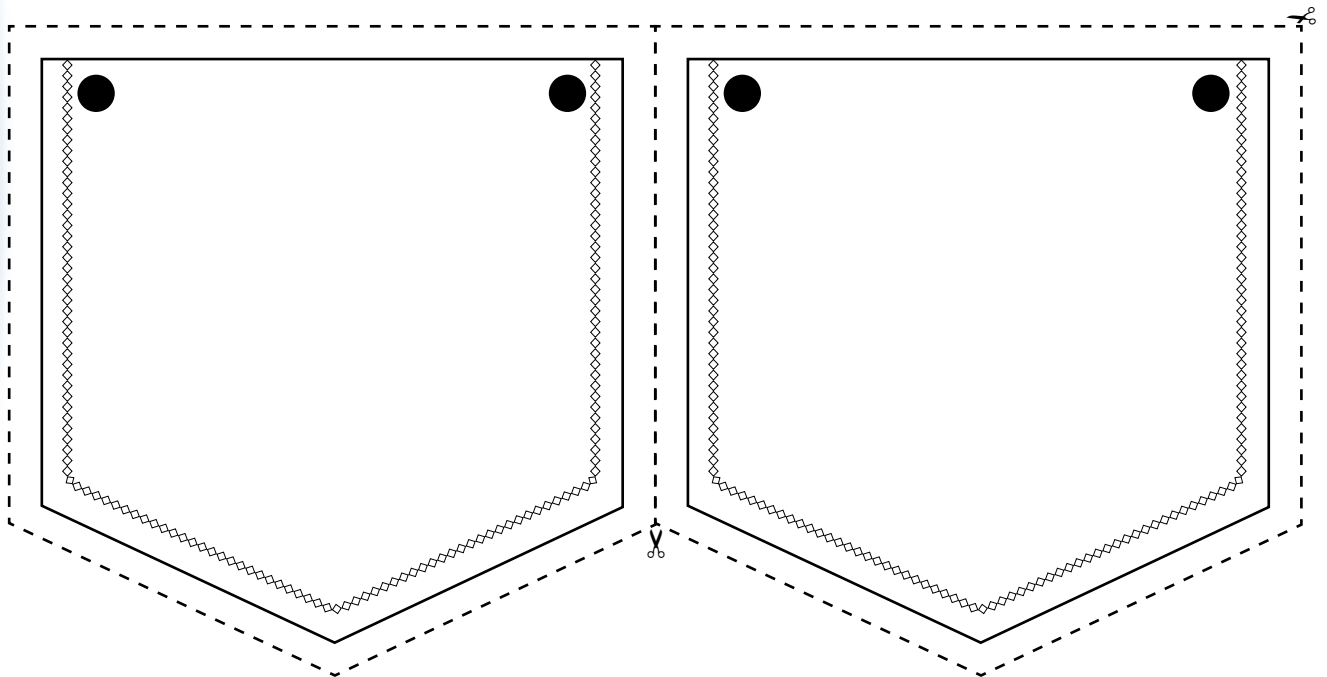
Jesus' Family

By his example, Saint Joseph taught us to believe that God is always with us and loves us very much. God blesses us with family and friends who care for us just as Saint Joseph cared for Jesus.



Directions:

1. Decorate and cut out the two pockets.
2. Glue the edges on three sides of the pocket together to make one pocket. Leave the top open.
3. On slips of paper, write ways you can honor God while spending time with your family.
4. Put the papers into the pocket.
5. Fasten the pocket to a string and hang it in your home.
From time to time, choose a slip of paper and honor God as a family by completing the activity.



Following Jesus

Long ago there was a fisherman.
His name was Peter. Jesus said
to him, "Come, follow me."
So Peter left his work.
He followed Jesus.



Peter loved Jesus. Peter tried to
be like Jesus. Sometimes Peter
made mistakes. But Jesus always forgave him. Peter was one of
Jesus' best friends.

Jesus asked Peter to care for his friends. Peter said yes to Jesus'
mission. So Jesus made Peter the leader of all his people.

Directions: Color the badge. Add decorations. Write your name
on it. Display it proudly to show that you follow Jesus.



My Little Ways Coupon Book

Saint Thérèse loved God. She wanted to do little things for him every day. We can do little things for God too.

Directions: Complete each coupon. Write something you can do every day to show your love for God. Decorate each coupon. Cut out the coupons and staple them together to make a book.



Today I will _____

Signed _____

Today I will _____

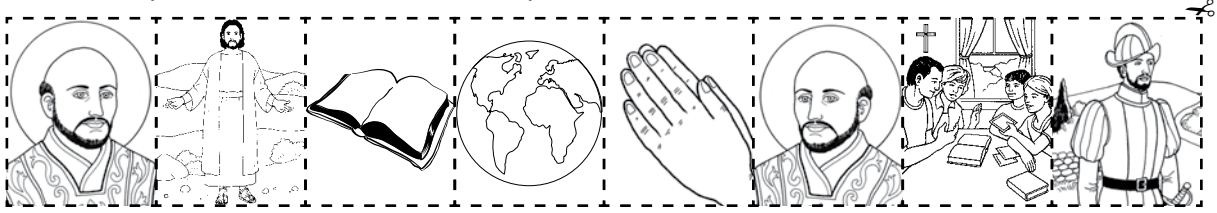
Signed _____

Today I will _____

Signed _____

The Story of Saint Ignatius

Directions: Cut out the stamps and glue them in place to finish the story. Then read the story.



[] was born long ago. He was a brave []. He did

not think of God often. One day Ignatius got hurt. As he was

healing, he []. He []. He learned about God.

Slowly Ignatius began to change.

Ignatius made a decision. He chose to live like [].

He obeyed God's wishes. He cared for others. He loved his

[]. He loved God's []. Now God came first in

Ignatius's life. [] became one of God's greatest followers.